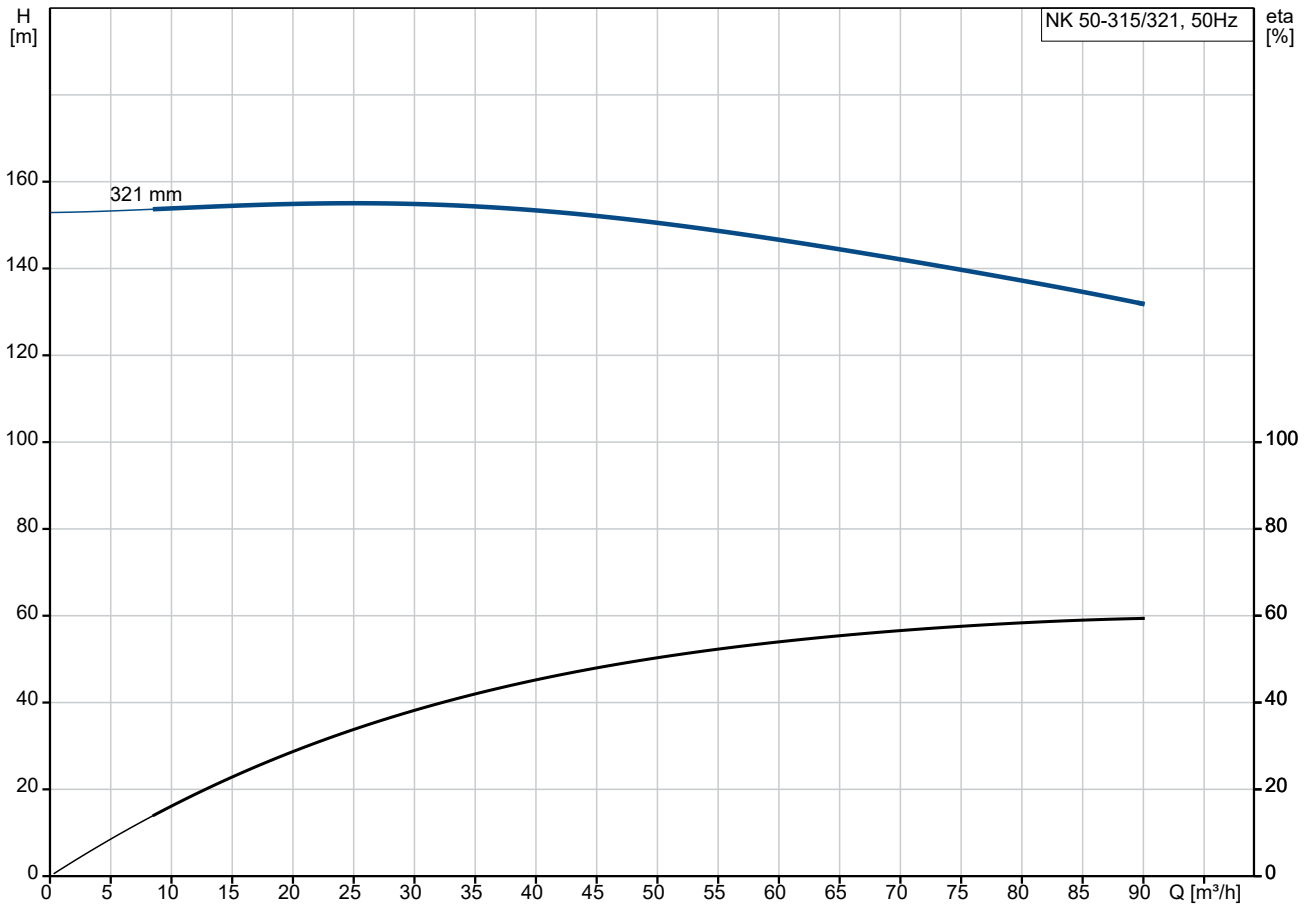
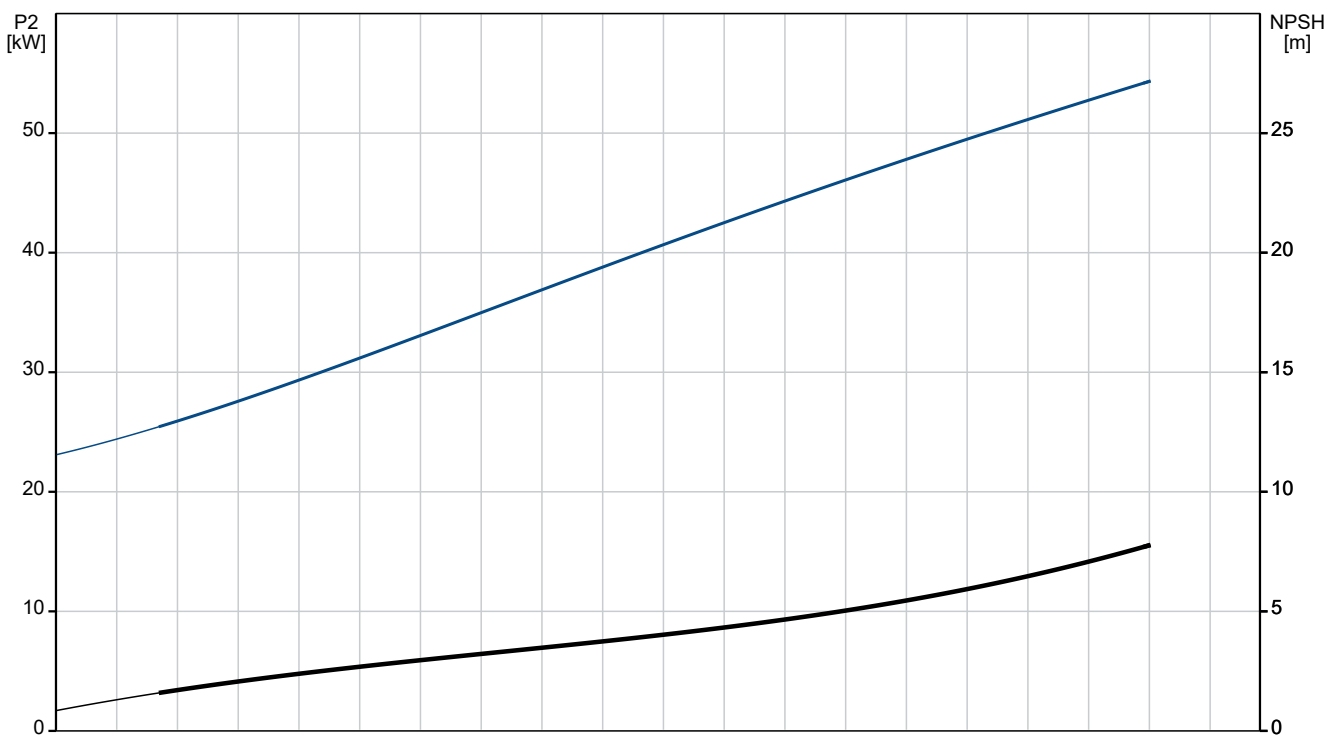


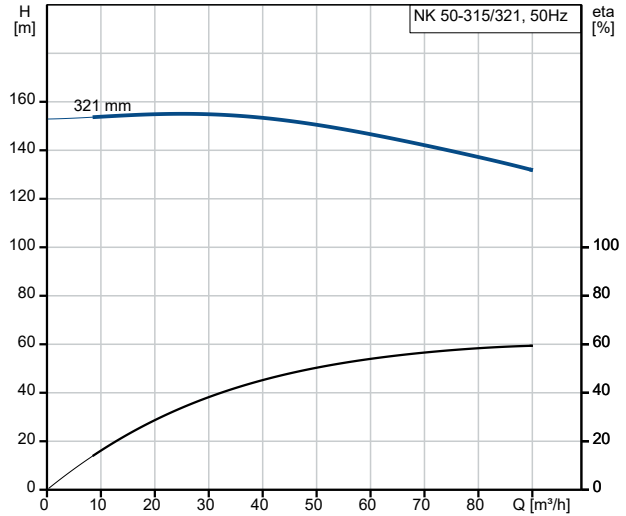
99497324 NK 50-315/321 AY1F2AESBAQEXW1 50 Hz



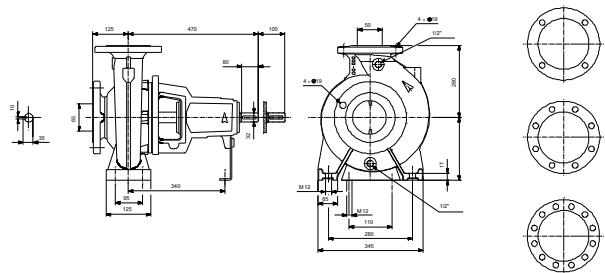
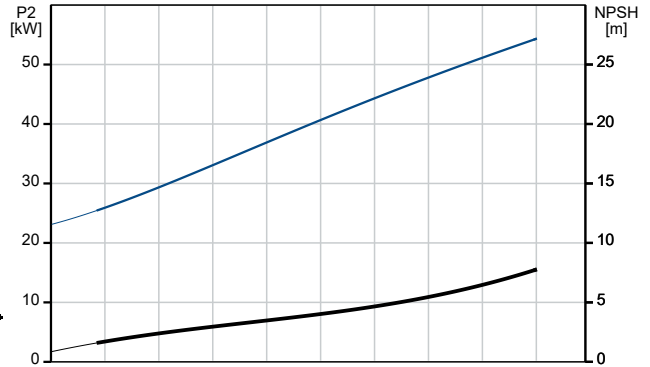
Pumped liquid = Water
 Liquid temperature during operation = 20 °C
 Density = 998.2 kg/m³



Description	Value
General information:	
Product name:	NK 50-315/321 AY1F2AESBAQEXW1
Product No:	99497324
EAN number:	5713830059258
Technical:	
Pump speed on which pump data are based:	2970 rpm
Rated flow:	60 m ³ /h
Pump with motor (Yes/No):	N
Rated head:	138.3 m
Actual impeller diameter:	321 mm
Nominal impeller diameter:	315
Shaft diameter:	32 mm
Code for shaft seal:	BAQE
Mechanical seal type:	Single
Curve tolerance:	ISO9906:2012 3B
Pump version:	Y1
Bearing design:	Standard
Min. pump speed:	500 rpm
Max. pump speed:	3700 rpm
Materials:	
Pump housing:	Cast iron
Pump housing:	EN-GJL-250
Pump housing:	ASTM class 35
Wear ring:	Brass
Impeller:	Cast iron
Impeller:	EN-GJL-200
Impeller:	ASTM class 30
Internal pump house coating:	CED
Material code:	A
Code for rubber:	E
Shaft:	Stainless steel
Shaft:	EN 1.4301
Shaft:	AISI 304
Installation:	
Maximum operating pressure:	16 bar
Pipe connection standard:	EN 1092-2
Type of inlet connection:	DIN
Type of outlet connection:	DIN
Size of inlet connection:	DN 65
Size of outlet connection:	DN 50
Pressure rating for connection:	PN 16
Grouting (Yes/No):	N
Connect code:	F
Liquid:	
Pumped liquid:	Water
Liquid temperature range:	0 .. 120 °C
Selected liquid temperature:	20 °C
Density:	998.2 kg/m ³
Electrical data:	
Rated power - P2:	55 kW
Number of poles:	2
Controls:	
Frequency converter:	None
Pressure sensor:	N
Others:	
Minimum efficiency index, MEI ≥:	0.50



Pumped liquid = Water
 Liquid temperature during operation = 20 °C
 Density = 998.2 kg/m³





Company name:

Created by:

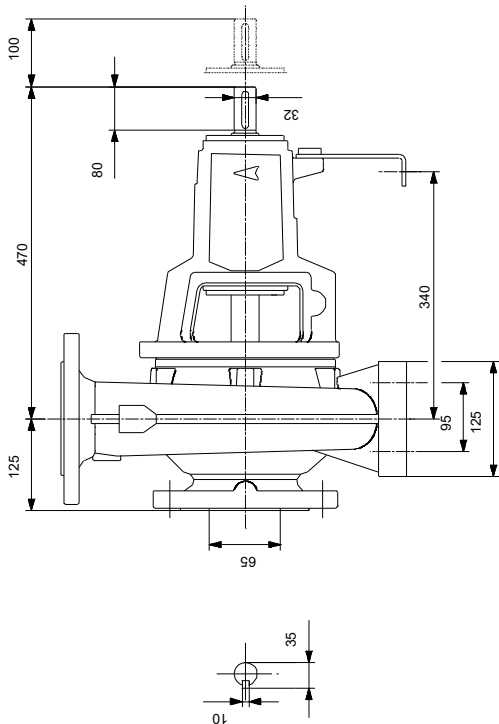
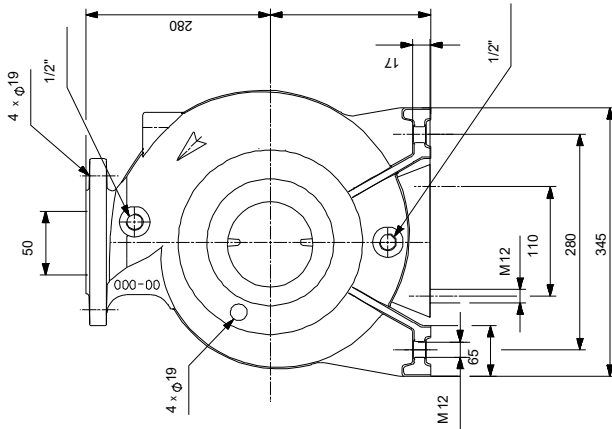
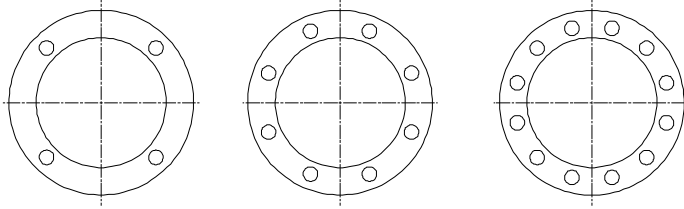
Phone:

Date:

18/07/2024

Description	Value
ErP status:	EuP Standalone/Prod.
Net weight:	109 kg
Gross weight:	118 kg
Shipping volume:	0.383 m ³

99497324 NK 50-315/321 AY1F2AESBAQEXW1 50 Hz



Note! All units are in [mm] unless others are stated.
Disclaimer: This simplified dimensional drawing does not show all details.